

GRAZE X™ 300/500/800 10 Degree Optic Fixture

Grazer fixture with precise narrow optics. Graze effectively in a small form factor with near-zero glare. Powered by the VALENT® X light engine.

Date _____

Project Notes _____

FEATURES

- Crisp optical performance with 10 degree beam angle and near-zero glare
- CCT options from 2400K - 6300K
- Built to length in 1" increments, daisy-chain capable for long runs
- Rotating aiming bracket or flat mounting clip
- CRI, hue & gamut matched to VALENT® X tape light
- 12 year warranty



ORDERING CODES

Fixtures built to order

OPTIONAL ORDERING CODES

Mounting, drivers, and assembly preference

Diode LED	Voltage	Model	CCT	Series	Finish	Lens	Mounting	Length	Drivers	Delivery	
DI											
	24V	GRZX	24 (2400K) 27 (2700K) 30 (3000K) 35 (3500K)	300 500 800	AL (Aluminum) WH (White) BL (Black)	10°	MC (Mounting Clip) AIM (Aiming Bracket)	Length (ft.)	ELV (Electronic) 010 (0-10V) MAG (Magnetic) SWX (Switchex)	O/O (On / Off) LUT (Lutron) PoE (Power over Ethernet)	FACTORY *See Delivery Options

	24V-GRZX-300	24V-GRZX-500	24V-GRZX-800
Voltage	24V	24V	24V
Wattage	2.8W/ft.	4.6W/ft.	7.2W/ft.
Peak Center Beam Candle Power	3965 cd	6037 cd	7917 cd
Max Run Length (per power feed)	41 ft.	30 ft.	19 ft.

DELIVERY OPTIONS

- Factory Assembly

Fastest installation: fixtures fully assembled in the factory.



FOOT CANDLES

	24V-GRZX-300	24V-GRZX-500	24V-GRZX-800
1 Foot*	283	580	351
5 Foot*	11	23	32
10 Foot*	3	6	8
Optic Type	True 10 degree full angle graze	True 10 degree full angle graze	True 10 degree full angle graze
Visual Comfort	Near-Zero Glare (UGR<16 compliant)	Near-Zero Glare (UGR<16 compliant)	Near-Zero Glare (UGR<16 compliant)
Dimensions	0.83 x 0.95 in. (W x H)	0.83 x 0.95 in. (W x H)	0.83 x 0.95 in. (W x H)
Channel Profile	Square	Square	Square
Environment	Indoor / Damp Location	Indoor / Damp Location	Indoor / Damp Location
Dimmable	Yes	Yes	Yes
Certification	UL Listed 2108	UL Listed 2108	UL Listed 2108
Warranty	12 Year	12 Year	12 Year

*Foot candles listed at 3000K, see IES file for actual foot candles for specific CCTs

GRAZE X™ 300/500/800 10 Degree Optic Fixture

Grazer fixture with precise narrow optics. Graze effectively in a small form factor with near-zero glare. Powered by the VALENT® X light engine.

Date _____

Project Notes _____

RECOMMENDED DRIVERS

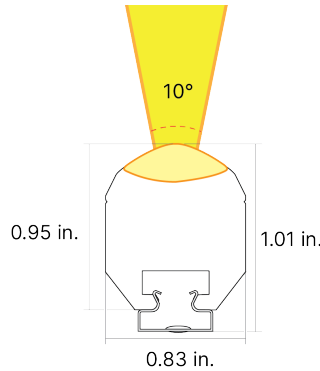
SKU	WATTAGE	LENGTH	WIDTH	HEIGHT
OMNIDRIVE® X ≤ Dimmable LED Drivers Versatile driver for most high-performance dimming applications: ELV, TRIAC, 0-10V with 120-277V universal input. ≤ Dimming, Dim to Dark (Depending on installation)				
DI-ODX-24V30W-J	30W	6.5 in.	3.7 in.	1.36 in.
DI-ODX-24V60W-J	60W	7.4 in.	3.7 in.	1.36 in.
DI-ODX-24V96W-J	96W	8.66 in.	3.7 in.	1.36 in.
DI-ODX-24V120W-J	120W	8.66 in.	3.7 in.	1.36 in.
DI-ODX-24V200W-J	200W	10.24 in.	4.92 in.	1.95 in.
SWITCHEX® Driver and Dimmer Switch LED driver and dimmer switch combined in a single gang box.				
DI-24V-SE-60W	60W	1.4 in.	2.1 in.	4.1 in.
DI-24V-SE-100W	100W	1.4 in.	2.1 in.	4.1 in.
VLM Series Constant Voltage LED Drivers Compact constant-voltage LED driver				
VLM60W-24-LPM	60W	8.19 in.	2.94 in.	1.31 in.
VLM100W-24-LPM	100W	8.19 in.	2.94 in.	1.31 in.
Lutron® Hi-lume™ 1% Dimmable LED Drivers				
DI-DM-24V40W-L3D	40W	4.89 in.	4 in.	2.62 in.
DI-DM-24V40W-LTE	40W	4.89 in.	4 in.	2.62 in.
Lutron® Hi-lume Premier 0.1% LED driver				
DI-DM-24V96W-L3D	96W	5.5 in.	2.2 in.	10.5 in.
PoE 24V constant voltage platform, ready for Power over Ethernet (Inquire)				



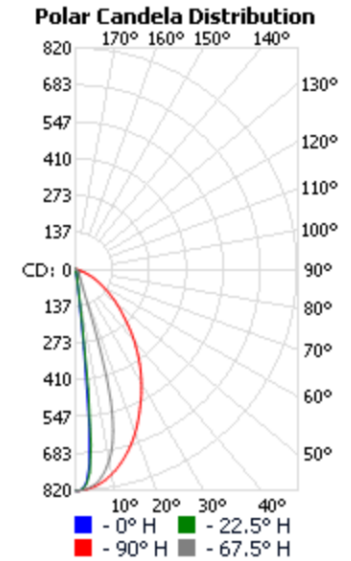
- Lumen value measured in accordance to IES LM-80-08. LED chips have a luminous flux range with a tolerance of +/- 5%.
- Each maximum run requires a dedicated power feed from the driver. Do not extend beyond the recommended maximum run length. Max run may exceed Class 2 limit. Actual wattage may differ from calculated wattage due to voltage drop across run.
- Do not install product in an environment outside the listed ambient temperature. Exceeding the maximum ambient temperature may damage LED chips, reduce the total lamp life, lumen output, and/or adversely impact color consistency.
- Actual efficacy value is dependent to specified LED driver (power supply). An estimated efficacy value can be calculated as follows: Lumen value divided by average power consumption per foot.
- Operating temperature is measured according to the minimum and maximum ambient temperature environment.

MECHANICAL DIAGRAMS

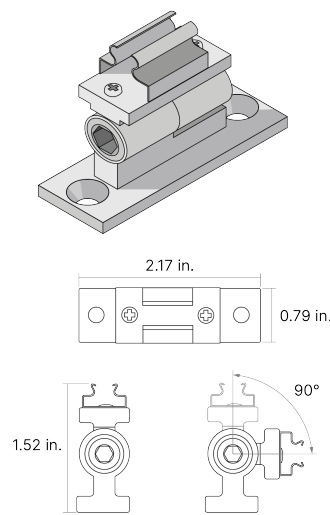
Graze X™ Fixture



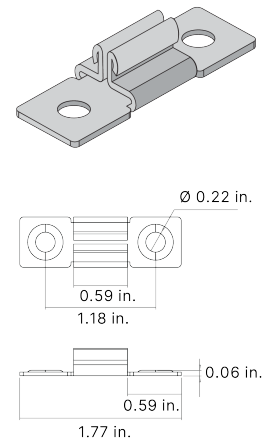
Photometrics



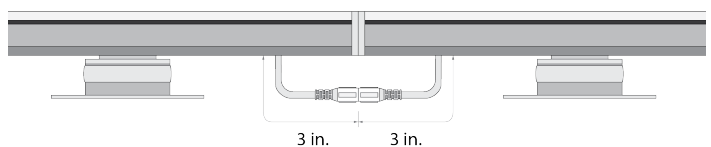
Aiming Bracket



Mounting Clip



Daisy Chain Installation



GRAZE X™ 300/500/800 10 Degree Optic Fixture

Grazer fixture with precise narrow optics. Graze effectively in a small form factor with near-zero glare. Powered by the VALENT® X light engine.

Date

Project Notes

CERTIFICATIONS

Safety

- UL Listed 2108 Low Voltage Lighting System / Low Voltage Luminaire. UL 1598 / CSA 250.0-08, UL 8750. UL 879 / CAN/CSA-C22.2 no. 207-M89. Certified for United States and Canada. File # E469769.

Performance

- LED chip data measured in accordance to IES LM-80-08.

Safety / Warnings / Disclosures

1. Install in accordance with national and local electrical code regulations.
2. This product is intended to be installed and serviced by a qualified, licensed electrician.
3. Only use copper wiring. Use wires rated for at least 176°F (80°C) and certified for use with external connection of electrical equipment.
4. Each maximum run requires a dedicated power feed from the driver. Do not extend beyond the recommended maximum run length.
5. Tape light, attached wire leads, and additional extension cables, connectors, etc., are not rated for in-wall installation unless otherwise noted. Tape light and attached wire leads are field-cuttable.
Ensure applicable wire is installed between driver, fixture, and any controls in-between. When choosing wire, factor in voltage drop, amperage rating, and type (in-wall rated, wet location rated, etc.). Inadequate wire installation could overheat wires, and cause fire.
7. Do not install in environment where LED chips are exposed to direct sunlight as damage to the phosphor will occur.
8. Do not install in environment where excessive heat may exist (ex. close proximity to fireplace, etc.) See Ambient Temperature ratings
9. Do not install indoor LED tape light products in outdoor / wet location environments. Only wet location tape light models are rated for outdoor / wet locations.
10. Do not modify product beyond instructions or warranty will be void.
11. Tape light must be handled with care. Excessive handling, bending, and pressure may damage the product, voiding the warranty.
12. Actual color may vary from what is pictured on this sheet and other print materials due to the limitations of photographic processes.
We reserve the right to modify and improve the design of our fixtures without prior notice. We cannot guarantee to match existing installed fixtures for subsequent orders or replacements in regards to product appearance, CCT, or lumen output.
- 13.

WARRANTY

Limited Warranty

- 12 Years

This warranty does not include the additional accessories referenced in this specification sheet. Complete warranty details for fixtures and additional accessories are available at www.diodeled.com/limited-warranty/ within the Policies section. For warranty related questions please contact product support.

Consumer's Acknowledgment

Elemental LED, Inc. stands behind its products when they are used properly and according to our specifications. By purchasing our products, the purchaser agrees and acknowledges that lighting design, configuration and installation is a complex process, wherein seemingly minor factors or changes in layout and infield adjustments can have a significant impact on an entire system. Choosing the correct components is essential. Elemental LED is able to work with the original purchaser to make an appropriate product selection to the extent of the limited information that the customer can provide, but it is virtually impossible for Elemental LED to design a system that foresees every unknown factor. For this reason, this Warranty does not cover problems caused by improper design, configuration or installation issues. Any statement from a Elemental LED employee or agent regarding a customer's bill of goods and/or purchase order is NOT an acknowledgment that the products purchased are designed and configured correctly. The purchase agrees and acknowledges that it is the customer's responsibility to adhere strictly to all information contained in the Product Specification Sheets.

There is often more than one way to design, configure and layout an LED lighting application properly to achieve the same lighting effect. Elemental LED strongly recommends that licensed professionals be used in the design and installation of lighting systems that include Elemental LED products. The specifications include important information that a designer and installer should carefully review and strictly follow. Qualified designers and certified and/or licensed installers, with access to the final installation environment, customer goals, and Elemental LED product specifications can make the requisite decisions appropriate for a successful finished lighting application.